

INDOOR CURRENT TRANSFORMER

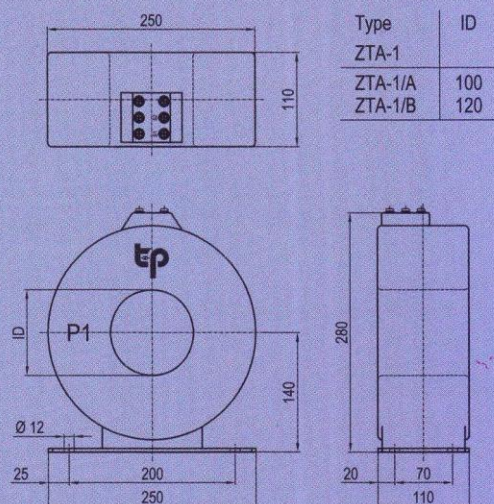


ZTA



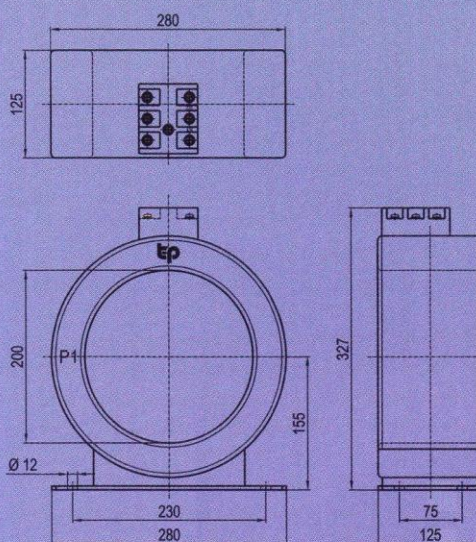
ZTA-1

ZERO SEQUENCE
CURRENT TRANSFORMER (Z.C.T.)



ZTA-1A

ZERO SEQUENCE
CURRENT TRANSFORMER (Z.C.T.)



Dimension in mm

Type		ZTA-1	ZTA-1A
Service condition		Indoor	
Insulation		Dry epoxy resin moulded and treated under vacuum	
Highest system voltage	kV	1.2	1.2
Rated power-frequency withstand voltage	kV	6	6
Lighting impulse test voltage	kV	-	-
Rated frequency	Hz	50 or 60	50 or 60
Rated primary current	A	50 to 1600	50 to 1600
Single ratio, double ratio or multi ratio		Single ratio	Single ratio
Rated secondary current	A	1 or 5	1 or 5
Rated continuous thermal current		1.2 I _n	1.2 I _n
Rated short-time thermal current		-	-
Number of cores		1	1
Accuracy classes		¹ Protection : 10P10 ; 10P20 ; 5P10 ; 5P20	¹ Protection : 10P10 ; 10P20 ; 5P10 ; 5P20
Rated burdens	VA	² 2.5 ; 5 ; 7.5 ; 10 ; 15	² 2.5 ; 5 ; 7.5 ; 10
Approx. weights	kg	15	18
Secondary terminals cover		-	-

¹ Accuracy class depends on rated primary current

² Rated burden depends on rated primary current & accuracy class