

# INDOOR CURRENT TRANSFORMER



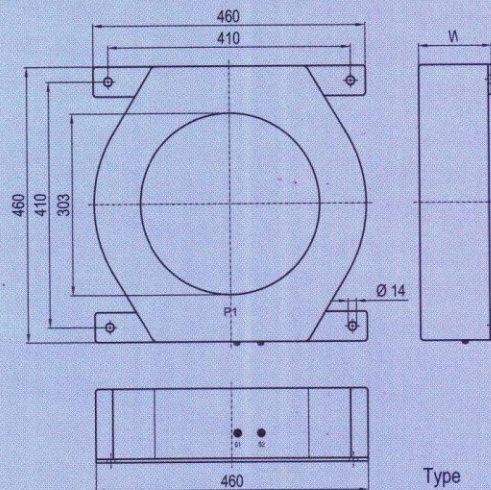
## ZTA & ACT



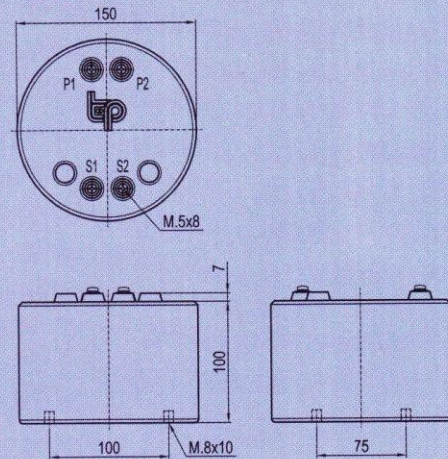
### ZTA-2

### ACT-1

ZERO SEQUENCE  
CURRENT TRANSFORMER (Z.C.T.)



Type	W
ZTA-2	
ZTA-2/A	123
ZTA-2/B	160
ZTA-2/C	200



Dimension in mm

Type		ZTA-2	ACT-1
Service condition		Indoor	Indoor
Insulation		Dry epoxy resin moulded and treated under vacuum	
Highest system voltage	kV	1.2	1.2
Rated power-frequency withstand voltage	kV	6	6
Lighting impulse test voltage	kV	-	-
Rated frequency	Hz	50 or 60	50 or 60
Rated primary current	A	50 to 1600	5 to 10
Single ratio, double ratio or multi ratio		Single ratio	Single ratio
Rated secondary current	A	1 or 5	1 or 5
Rated continuous thermal current		1.2 In	1.2 In
Rated short-time thermal current		-	-
Number of cores		1	1
Accuracy classes		<sup>1</sup> Protection : 10P10 ; 10P20 ; 5P10 ; 5P20	Measurement : 0.5 ; 1 ; 3 Protection : 10P10 ; 5P10
Rated burdens	VA	<sup>2</sup> 2.5 ; 5 ; 7.5 ; 10	5 ; 7.5 ; 10 ; 15
Approx. weights	kg	45 - 70	6
Secondary terminals cover		-	-

<sup>1</sup> Accuracy class depends on rated primary current

<sup>2</sup> Rated burden depends on rated primary current & accuracy class