

INDOOR VOLTAGE TRANSFORMER

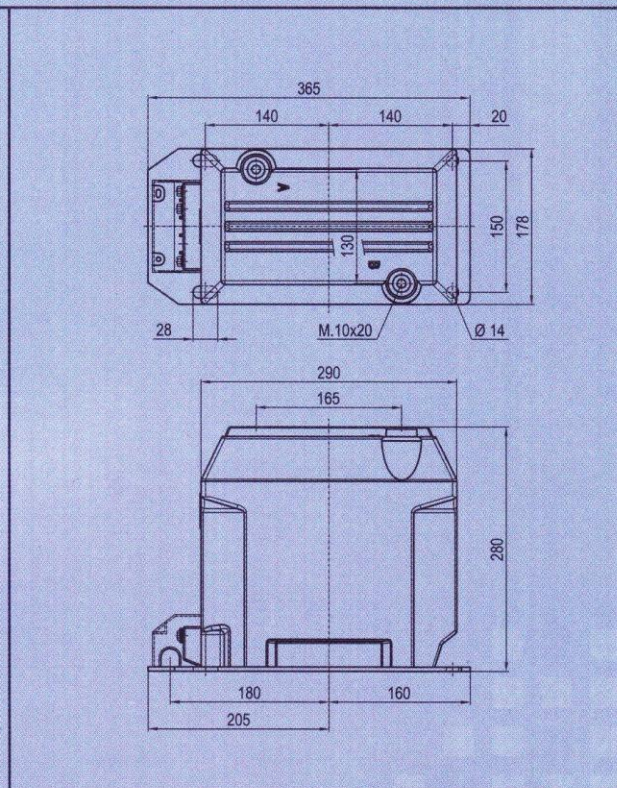
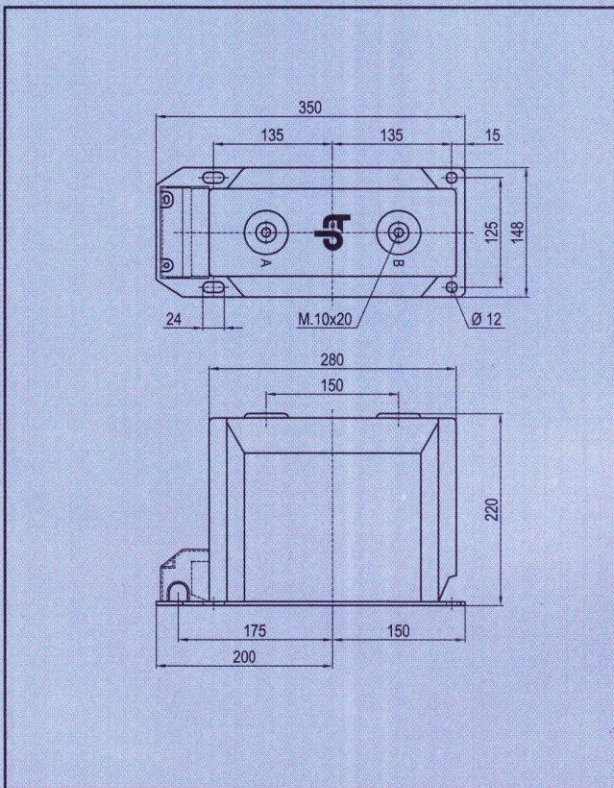


VTB



2VTB-12

2VTB-24



Dimension in mm

Type		2VTB-12	2VTB-24
Service condition		Indoor	Indoor
Insulation		Dry epoxy resin moulded and treated under vacuum	
Connection		Phase to phase	Phase to phase
Number of phase		Single phase	Single phase
Highest system voltage	kV	12	24
Rated power-frequency withstand voltage	kV	28	50
Lighting impulse test voltage	kV	75	125
Rated frequency	Hz	50 or 60	50 or 60
Rated primary voltage	kV	.24 ~ 11	2.4 ~ 22
Rated secondary voltage	V	100 ; 110	100 ; 110
Number of secondary windings		1 or 2	1 or 2
Rated voltage factor	Un	1.2 Continuous	1.2 Continuous
Accuracy classes		Measurement : 0.2 ; 0.5 or 1 Protection : 3P or 6P	Measurement : 0.2 ; 0.5 or 1 Protection : 3P or 6P
Rated burdens	VA	¹ 10 ; 15 ; 25 ; 30 ; 50 ; 75 ; 100	¹ 10 ; 15 ; 25 ; 30 ; 50 ; 75 ; 100
Approx. weights	kg	26	38
Secondary terminals cover		Available	Available

¹ Rated burden depends on accuracy class